

**PALILLOS 12LT LED Clg Mount**  
**3-806-xx**

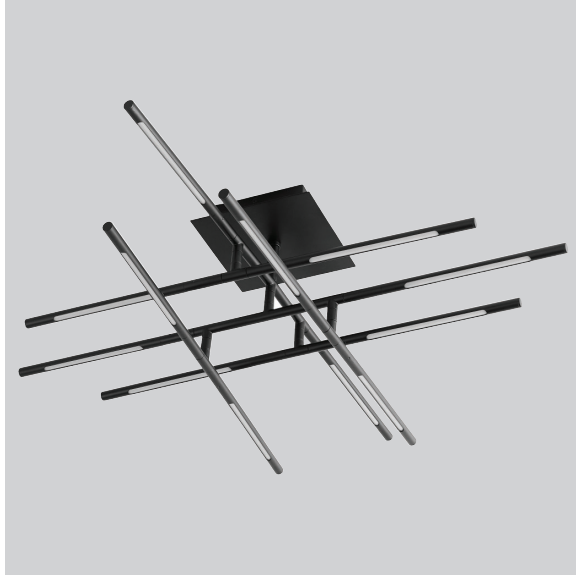
oxygen

FIXTURE TYPE \_\_\_\_\_

LOCATION \_\_\_\_\_

PROJECT \_\_\_\_\_

DATE \_\_\_\_\_

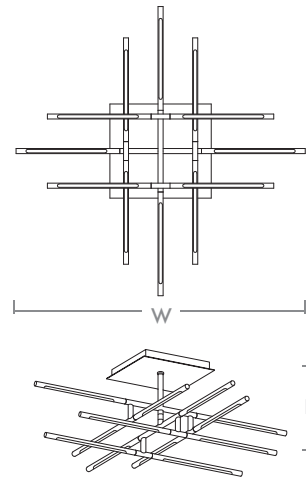


-15 Black



-40 AGB

- LIGHT SOURCE** (12) X 3.5W LED Array, Selectable Color Temp, CRI 90
- LUMINAIRE POWER** XXXXXX Input Power
- RATED LIFE** 50000 hr RL
- OPTIONAL COLOR TEMPERATURES** Selectable **(CCT)** 3000/3500/4000K
- LUMEN OUTPUT** TBD
- INPUT VOLTAGE** 120V
- DRIVER OUTPUT** TBD
- DIMMING** TRIAC and ELV dimming at 120V AC
- CONSTRUCTION** Cold Rolled Steel Housing
- DIFFUSER** - Matte White Acrylic
- FINISHES** -15 Black, -40 AGB
- MOUNTING** 4" Octagonal J-Box\*, 4" Square J-Box\*, 4" Square J-Box\* with a single device mud ring \*Deep J-Box (Required to house driver)
- STANDARDS** ETL Listed, ADA Compliant, Conforms to UL STD 1598, Certified CAN/CSA STD C22.2 No 250.0.



**DIMENSIONS**

- W:** 37.25"
- H:**
- Ext:**
- M.C:** X" From top of fixture

Note:

Order example for standard fixture:  
**3-806-15** (x-xxx: LED Sequence # / -xx: Finish)

